

MANUFACTURERS STATEMENT OF LIABILITY

This kit is classified as a firearm accessory, and that we assume **NO LIABILITY** for its safe or unsafe handling under local laws and regulations. We assume **NO RESPONSIBILITY** for its use or mis-use, physical injury or property damage from its use. **WARNING** - modification to this kit may be a violation of Federal Laws and may result in possible bodily injury or death.

FLEMING FIREARMS, INC.

7720 E. 126th ST. North
Collinsville, Okla. 74021
Phone (918) 371-3624
FAX (918) 371-0404

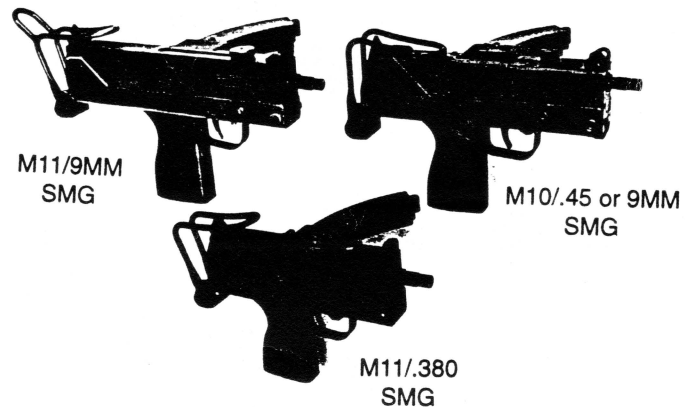
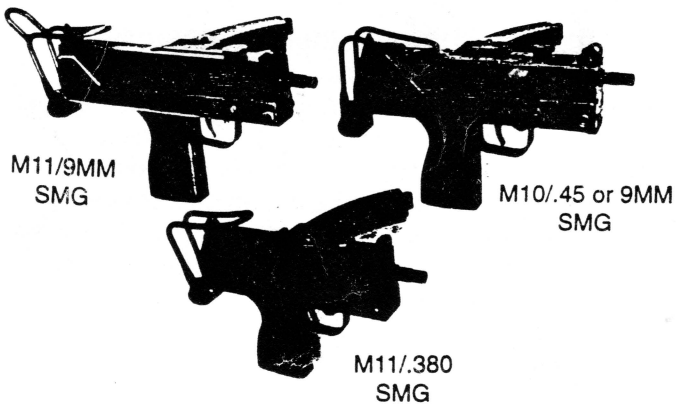
PRESENTS

LITTLE MAC ATTACK

OWNERS MANUAL

.22 Rimfire Subcaliber Conversion Kits

MODEL FITS	CAL.	OTHER DESC.
LMA-1 M11-9MM SMG	9MM	Open Bolt
LMA-2 M10-SMG M10-Semi-Auto Pistol	.45 or 9MM .45 or 9MM	Open Bolt Open Bolt
LMA-3 M11-.380 Smg M11-.380 Semi-Auto Pistol	.380 ACP .380 ACP	Open Bolt Open Bolt
LMA-4 M11-9MM Semi-Auto Pistol	9MM	Closed Bolt
LMA-5 M12-.380 Semi-Auto Pistol	.380 ACP	Closed Bolt



INTRODUCTION

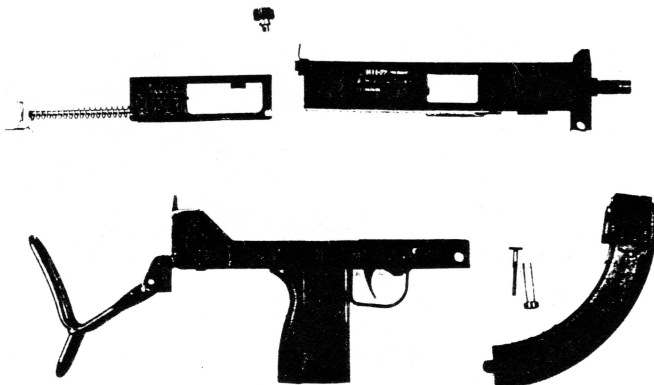
Congratulations on purchasing the .22 Rimfire Subcaliber Conversion Kit. For your MAC SMGs, Semi-auto open bolt pistols or Semi-auto closed bolt pistols. This kit is constructed of ordinance grade materials, engineered to the highest standards.

Your kit has a one year warranty on parts and labor. With an exception on the barrel. The barrel is constructed of ordinance grade materials. We do not guarantee the barrel for excessive wear.

Caution — Installation of the M10 .22 kit on the M10 Semi-auto Carbine may constitute the manufacture of a short barrel rifle.

ASSEMBLY IS AS FOLLOWS

- (1) Check to make sure your firearm is unloaded.
- (2) Remove the receiver pin at the front of pistol, now lift up on the front of upper receiver and push off towards the front.
(NOTE) STORE YOUR UPPER RECEIVER IN A CLEAN DRY PLACE.
- (3) Slide the .22 upper receiver on, lining up the front receiver hole with the lower hole. The rear of the LMA1-3-4-5 .22 upper receiver has two notches, that will slide into place. Now put your original receiver pin in, to lock upper to lower.
(NOTE) LMA-2 UPPER FITS INSIDE LOWER RECEIVER LIKE ORIGINAL UPPER.
- (4) For LMA-1, LMA-3, LMA-4, and LMA-5, use your original cocking knob, installing it in the opening of upper receiver.
(NOTE) YOUR EXISTING COCKING KNOB MAY NEED TO BE SHORTENED APPROX. 3/32" OR 2.5MM, TO KEEP FROM STRIKING MAGAZINE.



- (5) Install the .22 Rimfire magazine into magazine well, cock as normal.

(ALWAYS POINT IN A SAFE DIRECTION.)

To-ensure good performance for your kit, and for best results we recommend you use CCI .22 Rimfire ammunition with full round nose.

DISASSEMBLY IS AS FOLLOWS

- (1) Remove magazine from magazine well. Check to make sure your firearm is unloaded.
- (2) Remove the receiver pin at the front of pistol, now push forward until rear of receiver clears the lower receiver, now lift off.
(NOTE) TO ENSURE PROPER OPERATION OF YOUR KIT, MAKE SURE YOU CLEAN YOUR KIT THOROUGHLY AFTER EACH USE.
- (3) Remove your original cocking knob from kit on LMA-1,3,4,5.
- (4) Now take your original upper receiver and slide on, lining up the hole in the upper receiver, with the lower hole. Insert your original receiver pin.
- (5) Install your original, cocking knob in the opening of upper receiver on LMA 1,3,4,5.

WARRANTY

.22 RIMFIRE SUBCALIBER CONVERSION KIT

Fleming Firearms, INC. will replace or adjust to its highest standards any part returned prepaid to the factory and found by us to be defective in materials or workmanship. This is free of charge for one year from date of purchase. This is to the original retail purchaser only. This kit will not convert your semi-automatic weapon to shoot full-auto.

