

**SOMETHING
 NEW FOR
 THE M11/9
 SEMI AUTO**

Issue.

**IT SHOULDN'T HURT TO
 LOVE/LOAD YOUR M11/9!**

This is a must item for any body who has busted their hand cocking a M11/9 Semi



**ONLY
 \$69.95**

The M11/9 E-Z cocking system is easily installed on any Cobray M11/9 Semi -Auto pistol or Carbine! Simply change out bolt handle and install Scope mount fitted with pull handle. The EZ cocking system gives you the leverage you need to quickly load your M11/9 without hurting your hand.

M11/9 E-Z COCKING SYSTEM

**Once cocked
 Pull Handle is
 stationary when
 firing.
 Easily installed**



- Mac Bolt Assembly \$85.00 each.**
 M11/9 SMG Bolt Assembly **\$85.00**
 M11/9 Semi Bolt Assembly **\$85.00**
 M10/45 Bolt Assembly **\$85.00**
 M10/9 Bolt Assembly **\$85.00**
 M11/380 Bolt Assembly **\$85.00**

Complete bolt assembly includes: Bolt handle assy., extractor assy., firing pin assy., and recoil assy.
Please specify model and caliber when ordering.

- Original Threaded MAC Barrels**
 M11/9 Barrel **\$34.95**
 M11/380 Barrel **\$34.95**
 M10/9 Barrel **\$34.95**
 M10/45 Barrel **\$34.95**

Please specify model and caliber when ordering.



M11/9 Pre-Ban Parts Set only \$225.00

Barrel, Grip, Magazine Catch Assembly, Top, Weld Pack and Trigger Group. All parts are finished and ready to replace any worn part in your gun.



w/30rd Zytel Magazine
\$230.00

MAC SMG Trigger Group

Includes: Trigger, Trigger Spring, Sear Spring, Sear, Sear Stud, Wire Retainer, Firing Pin, Disconnect, Discon. Pin, Trip, Selector.



- M11/9 SMG \$85.00**
M11/380 SMG \$85.00
M10/45 SMG \$85.00

**PRODUCTS FOR
 MEN
 OF ADVENTURE**

SOMETHING NEW



**LASER
 LYTE
 DUAL
 LENS
 LASER**

State of the art 633mm diode. This high powered laser will readily clip on any pistol. RPB has produced an adaptor for it to fit a weaver base. Now you can shoot your Carbine from the hip with greater accuracy!

Laser Lyte Dual Lens Laser

- Crosshair/Dot Black - \$119.95**
Circle/Dot Black - \$119.95
M11/9 Weaver Base Adaptor - \$ 19.95



- M10/45 Top Assembly \$75.00**
M10-9 Top Assembly \$75.00
M11/380 Top Assembly \$75.00
M11/9 Top Assembly \$75.00
M12/380 Top Assembly \$75.00

Cobray
M11/9 & M12/380
Semi-Automatic Pistol Parts
 RPB specializes in hard-to-find parts for Cobray M11/9 Semi-Auto Pistols. We believe customer satisfaction stems from product availability and quick, reliable service. RPB is proud to sell original COBRAY products.

- | | | |
|-----------------------------|-----------|---------|
| 1 Upper Receiver | 941 - 900 | \$30.00 |
| 2 Threaded Barrel | 900 - 900 | \$34.95 |
| 3 Barrel Pin | 942 - 900 | \$ 1.50 |
| 4 2pc Receiver Pin | 919 - 900 | \$ 9.95 |
| 5 Quick Detach Receiver Pin | | \$ 9.95 |
| 6 Front Space Plate | | \$ 5.00 |
| 7 Front Receiver Tabs | 933 - 900 | \$ 3.00 |
| 8 Trigger Guard | 937 - 900 | \$ 8.00 |
| 9 Mag Housing | 936 - 900 | \$14.95 |
| 10 Grip | 911 - 900 | \$ 9.95 |
| 11 Mag Catch | 913 - 900 | \$12.00 |
| 12 Mag Catch Pin | 915 - 900 | \$ 2.00 |
| 13 Mag Catch Spring | 914 - 900 | \$ 2.00 |
| 14 Grip Screw | 912 - 900 | \$ 1.00 |
| 15 Sight Plate | 934 - 900 | \$10.00 |
| 16 Rear Spacer | 932 - 900 | \$ 8.00 |
| 17 Sear Spring | 927 - 900 | \$ 2.00 |
| 18 Sear Plate | 947 - 900 | \$20.00 |
| 19 Hammer | 928 - 900 | \$18.00 |
| 20 Hammer Spring | 930 - 900 | \$ 3.00 |
| 21 Hammer Pin Retainer | | \$ 1.75 |
| 22 Hammer Pin | 929 - 900 | \$ 3.00 |
| 23 Retainer | 924 - 900 | \$ 3.00 |
| 24 Trigger Bar | 925 - 900 | \$ 8.00 |
| 25 Trigger | 916 - 900 | \$ 9.95 |

Bring Back the MAC!



The M11/9 like you've never seen it before!

New Production
 161/4 match grade tapered barrel. Improved slim line barrel shroud with vertical foregrip.

M11/9 MAC Blaster Carbine Top Series Great for Semi Carbine or SMG'S

Choice of muzzle break or flash hider (barrel threaded 5/8 x18 TPI) Please Specify type of break when ordering.
ONLY \$165.00

The Hottest Items/ The Best Ideas / Right Here! Right Now!
New
 • Less Felt Recoil
 • Higher Velocity
 • More Accurate

M11/9 Scope Mount
 New Production one piece aluminum Scope Mount. Weaver style base easily installed. **Only \$34.95**



M11/9 Fake Suppressor
 Looks like the real thing. Made out of quality 6061 aluminum and black anodized. Gives you something to hold onto while shooting.
Only \$29.95

M11/9 Suppressor Attn. Class III Dealers. Try our new high tech maintenance free M11/9 suppressor. Manufactured by Nick Hope. This is one state of the art sound suppressor.
Only \$395.00
 Length: 10" Weight: 11.2 oz

Red Dot Point Sight
 An affordable red dot sight system! Put the dot on the target and shoot. Adjustable for windage and elevation. Battery included.
Only \$55.00

NEW MAC BLASTER PACK



Order our new Carbine Stock Combo and save **BIG!**
 Combo includes new M11/9 - Carbine Top Complete with a tactical Skeleton Stock.
 M11/9 - Carbine Top w/ Stock SMG **\$185.00**
 M11/9 Carbine Top w/ Stock Semi **\$185.00**



The Fat MAC is Back!
 MAC Stock
 Fat MAC
 45 Fake Suppressor

M11/9 SWAT CASE 218 200- **\$59.95**
 M11/9 BARREL EXTENSION 976 900- **\$29.95**
 M11/9 2 STAGE FAKE SUPPRESSOR 977 100 **\$29.95**
 M11/9 S.M.G. BOLT ASSEMBLY COMPLETE 850 907R **\$85.00**
 M11/9 K-GRIP 905 908- **\$34.95**
 M11/9 TRIGGER GROUP S.M.G. **\$85.00**
 M11/9 S.M.G. WIRE FORM STOCK 966 900- **\$65.00**

M10 Tactical Stock
 New Production! Unique Synthetic M10/MAC Dragunov Style Tactical Stock. Sturdy and comfortable. Easily Installed.
 Tactical stock M10 Semi - **\$39.95**
 Tactical Stock M10 SMG - **\$49.95**

M11/9 S.M.G. Tactical Stock
 Only **\$49.95**
 Tired of the short wire stock bopping off your shoulder and bobbing you in the nose? Try the RPB Tactical Stock. Stock construction is the same as the carbine but mounts on the existing stock latch. Mounting hardware and adapter included.

- | | |
|---|----------|
| M10/45 Fake Suppressor | \$ 29.95 |
| M11/380 OBS Sear Carriage w/Dowel pin, spacer OBS 001 | \$ 14.95 |
| M11/9 Semi Auto Firing Pin 921 - 900 | \$ 12.95 |
| M11/9 Full Auto Safety Assy 5PCM11 | \$ 19.95 |
| M11/9 Full Auto Firing Pin 921 - 905R | \$ 12.95 |

- | | |
|---------------------------------------|----------|
| M10/45 Full Auto Safety Assy 5PCM10 | \$ 19.95 |
| M10/45 to 9mm Mag Well Adapter 850998 | \$ 14.95 |
| M10/45 Brass Catcher 901-101 | \$ 24.95 |
| M11/9 Brass Catcher 901 -901 | \$ 24.95 |
| M11/9 Thread Protector 850 - 900 | \$ 9.95 |

- | | |
|-------------------------------------|----------|
| M11/9 Black Assault Sling 901 - 102 | \$ 12.95 |
| M11/9 Rear Sling Collar 901 - 103 | \$ 5.95 |
| M11/9 Barrel Extension | \$ 29.95 |
| M11/9 10" Bbled Top Assy 901 - 941 | \$ 89.95 |
| M11/9 Scope Mount 850 - 202 | \$ 34.95 |
| M11/9 EZ Grip 850 - 961 | \$ 5.95 |

M11/380 Center Flat
 Only **\$16.00**

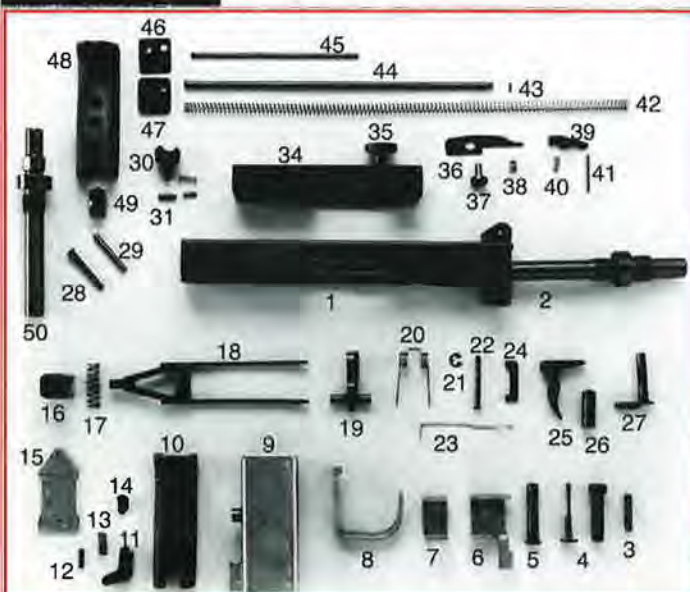
M10 2pc Side Flats #850101 **\$9.95**
 M11/9 4 cell Mag Pouch **\$12.95**

\$9.95 #RPB013 M11/9 1pc Center

M11/380 to 9mm Thread Adapter
 Only **\$19.95**
 Back by popular demand! Use your MAC 9mm Accessories on your M11/380 or M12/380 pistol.
3 for \$16.95 each

M10/45 Extended Mag Catch Assembly
 Quick release paddle Mag Catch Assembly includes Mag Catch, Pin and Spring. **Only \$19.95**
 M10/45 Extractor Assembly - Hard to find Item! Original RPB M10/45 Extractor and Pin **\$14.95**

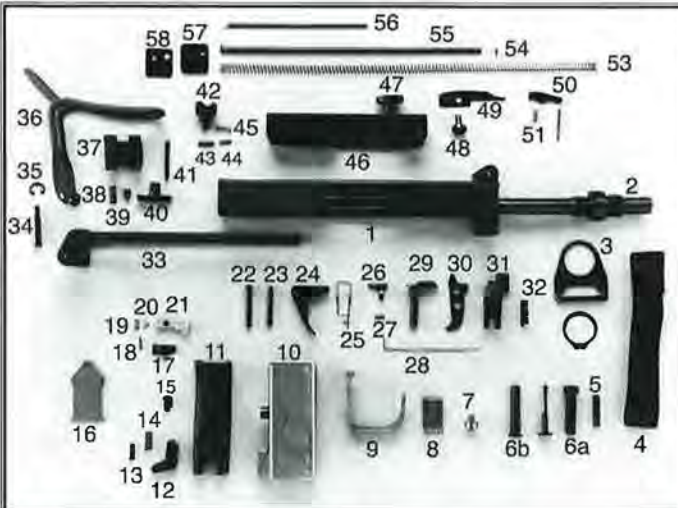
MAC 5pc Safety Assy. w/ Metal Button
 First Time available since 1982.
 Tired of your plastic safety button breaking off? New Production metal safety button, spring, detent, and pin **only \$19.95**
 M10 Trip-Back in Stock! **\$9.95**



- | | | |
|---|-----------|---------|
| 26 Trigger Boot | 944 - 900 | \$ 2.00 |
| 27 Safety Selector | 946 - 900 | \$20.00 |
| 28 Trigger Pin (New Style) | 917 - 900 | \$ 3.00 |
| 29 Trigger Pin (Old Style) | | \$ 3.95 |
| 30 Bolt Handle (M11/380 Old Style) | | \$ 9.95 |
| 31 Bolt Handle Detent (M11/380 Old Style) | | \$ 2.00 |
| 32 Bolt Handle Detent Pin (M11/380 Old Style) | | \$ 1.50 |
| 33 Bolt Handle Detent Spring M11/380 Style | | \$ 1.50 |
| 34 Bolt Assembly (Complete) | 901 - 905 | \$85.00 |
| 35 Bolt Handle (New Style) | 902 - 900 | \$12.95 |
| 36 Firing Pin | 921 - 900 | \$12.95 |
| 37 Firing Pin Retainer | 923 - 900 | \$ 6.95 |
| 38 Firing Pin Spring | 922 - 900 | \$ 2.00 |
| 39 Extractor | 901 - 900 | \$12.00 |
| 40 Extractor Spring | 909 - 900 | \$ 2.00 |
| 41 Extractor Pin | 910 - 900 | \$ 2.00 |
| 42 Recoil Spring | 903 - 900 | \$ 3.00 |
| 43 Recoil Rod Pin | 943 - 900 | \$ 1.50 |
| 44 Recoil Rod | 907 - 900 | \$ 3.50 |
| 45 Ejector Rod | 904 - 900 | \$ 3.50 |
| 46 Recoil Plate | 906 - 900 | \$ 4.00 |
| 47 Buffer | 905 - 900 | \$ 3.50 |
| 48 New Style PM11 Grip | | \$ 3.00 |
| 49 New Style PM11 Mag Catch | | \$ 3.00 |
| 50 New Style PM11 Bbl | | \$29.95 |

Original COBRAY Parts

- | | |
|------------------------------|----------------|
| M10/45 Barrel Extension Only | \$29.95 |
| TEC-9 Barrel Extension Only | \$29.95 |

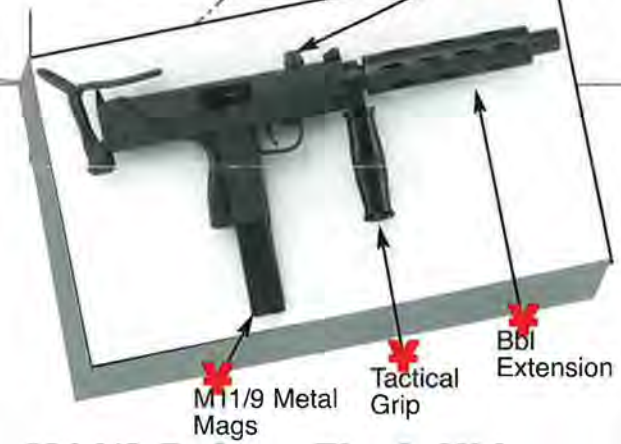


COBRAY SMG PARTS

Individual
Parts Available
for M10/45,
M11/9,
M10/9, and
M11/380!

M11/9 32rd Zytel Mag
Only **\$24.95** each
Cobray has released a small quantity of these mags.
Quantity Discount
buy 10 or more **\$19.95** each.

Make it a MAC-Daddy!



Original Cobray SMG Replacement Parts

1 Upper Receiver	\$30.00	31 Sear	\$15.00
2 Barrel	\$34.95	32 Sear spring	\$ 2.00
3 Hanger assembly	\$ 3.00	33 Stock rail	\$25.00
4 Strap	\$ 5.00	34 Stock hinge pin	\$ 2.00
5 Barrel pin	\$ 1.50	35 Stock hinge retainer	\$ 1.50
6a 2pc receiver pin	\$ 9.95	36 Stock wire form butt	\$25.00
6b 1pc quick release rec pin	\$ 9.95	37 Stock block	\$15.00
7 Sear stud	\$ 3.00	38 Stock latch spring	\$ 2.00
8 Front Receiver tabs	\$ 3.00	39 Stock latch plunger	\$ 2.00
9 Trigger guard	\$ 8.00	40 Stock latch	\$ 7.00
10 Mag housing	\$14.95	41 Stock latch pin	\$ 3.00
11 Grip	\$ 9.95	42 Bolt handle M10/M11-380	\$ 9.95
12 Mag Catch	\$12.00	43 Bolt handle detent M10/M11-30	\$ 2.00
13 Mag Catch pin	\$ 2.00	44 Bolt handle detent pin M10/M11-380	\$ 1.50
14 Mag catch spring	\$ 2.00	45 Bolt handle detent spring M10/M11-380	\$ 1.50
15 Grip Screw	\$ 1.00	46 Bolt assembly (complete)	\$85.00
16 Rear Sight plate	\$10.00	47 Bolt handle M11/9	\$ 9.95
17 Safety button (metal)	\$ 8.00	48 Firing pin retainer	\$ 6.95
18 Safety pin	\$ 1.50	49 Firing pin M11/9	\$12.95
19 Safety spring	\$ 2.00	50 Extractor	\$12.00
20 Safety detent	\$ 2.00	51 Extractor spring	\$ 2.00
21 Safety slide	\$ 8.00	52 Extractor pin	\$ 2.00
22 New style trigger pin	\$ 3.00	53 Recoil spring	\$ 3.00
23 Old style trigger pin	\$ 3.95	54 Recoil rod pin	\$ 1.50
24 Trigger	\$ 9.95	55 Recoil rod	\$ 3.50
25 Trigger spring	\$ 2.00	56 Ejector rod	\$ 3.50
26 Disconnecter	\$12.00	57 Buffer	\$ 3.50
27 Disconnecter pin	\$ 1.00	58 Recoil plate	\$ 4.00
28 Retainer	\$ 3.50	59 M10/9 feed ramp (not pictured)	\$ 3.00
29 Selector/ sear pin	\$20.00	60 M10/45 Mag Housing	\$24.95
30 Trip	\$ 9.95		

If you are having a hard time finding the M10, M11/9mm part you need and don't want to buy the whole bag of beans, RPB offers individual parts that will give you years of reliable service. Minimum order of small parts is \$25.00 When ordering please use the number and part description, model and caliber. All parts available in M11/380, M10/45, M10/9,

M11/9 Deluxe Flash Hider
New Look!
High quality flash hider measures 5" inches in length, threaded 3/4 x 10 TPI with parkerized finish.
M11/9 Deluxe Flash Hider #RPB 006 **\$19.95**
Also available for M10/45 #RPB007

SM11/9 Semi Auto Complete Frame only \$99.95 #RPB 012
New Reduced Price
FFL Required Back to the original design!
Factory original receiver with sten Mag Housing, Mag Catch Assy, Plastic Grip, and Grip Screw. Allows you to use cheap sten mag. Complete parkerized frame minus internal parts.

M11/9 SMG Front Tactical Grip

First time available! This is the only tactical grip on the market that allows use of front grip in conjunction with suppressor, muzzle break, or barrel extension. Easy to use - slip handle over threads and screw on accessory manufactured. 6061 aluminum and black anodized

RPB M11/9 SMG Front Tactical Grip.
\$29.95 #RPB 002

M11/9 Deluxe Muzzle Break

New Item! High quality muzzle break measures 5" inches in length and threaded 3/4 x 10 TPI with parkerized finish. #M11/9 DLXE Muzzle Break

\$19.95 #RPB 004
Also available for M10/45 RPB 005

M11/9 Extended Bolt Handle

Our most requested item! Original high top bolt handle - has deep slot for easy visibility of front sight. Makes cocking bolt easy. Fits both full auto or semi.

\$19.95 #RPB 003



M11/9 Buffer Pads
If you haven't noticed by now the black neoprene buffer has dry rotted and fallen off your bolt assembly. RPB has the original yellow urethane buffers in stock.
Only **\$3.50** each
#905-900

M11/9 Metal Mags
M11/9 smg owners have been searching for an alternative to the zytel plastic magazines. RPB now has in stock a proven 30rd metal magazine that locks in place and does not jam. Do not confuse our mags with the over priced defective metal mags currently on the market. RPB M11/9 Metal Mag
\$29.95 #972900M

M11/9 Sten Mag Housing Conversion

New Mag Housing allows use of cheap sten Mags **\$29.95** RPB008
M11/9 Sten Mag Housing Plastic Grip - **\$9.95** RPB009
Sten 30rd Magazine (military surplus) - **\$9.95** RPB 010
M11/9 Preban Mag Catch Assy - Assembly includes metal mag catch, spring, and pin. **\$14.95** RPB011
M11/9 Trigger guard. **\$ 8.00** 937-900

BACK IN STOCK!